

# Product Information



## Xtract™ Filtration

---

## Xtract™ Drum Topper

*Convenient, portable filtration in a compact design that you can carry wherever you need to go.*



### Where It's Used

- Decontaminating systems
- Flushing new or repaired systems
- Dispensing new oil
- Pre-filtering new oil
- Evacuating used oil
- Topping off reservoirs
- Collecting oil samples for analysis

# Features & Specifications



## Xtract™ Drum Topper

### What Is Standard?

- Automatic pressure relief valve
- Dual-stage filtration
- 6-foot hose assemblies with various hose-end connections
- Industrial powder-coated paint
- One-year warranty

### What Can I Customize?

- Flow rates
- Filter bypass
- Sample valves
- Color
- Hose-end connection sizes and types
- Micron rating of filters

### Performance

For filtering mineral-based industrial oils and most synthetic oils with a maximum operating viscosity range of ISO 10-460 (200 ssu/431 cSt) at 38°C (100°F) within ambient temperature ranges of -22 to 40°C (-8 to 104°F)

### Materials

- Frame: Aluminum
- Paint: Industrial powder coat
- Filter Heads: Aluminum
- Fittings: Zinc-plated steel and/or brass
- Pumps: Aluminum/steel
- Hoses: Clear PVC with steel wire
- Gaskets: Buna-N

### Filter Indicators

Filter indicator pops at 22 psid (1.55 bar) as warning that filter elements need to be replaced

### Pump Relief

Opens at 65 psi (5.49 bar)

### Weight

Approximately 20.4-24.9 kg (45-55 lb) (will vary depending on options selected)

### Dimensions

24.5" L x 13.5" W x 15.4" H

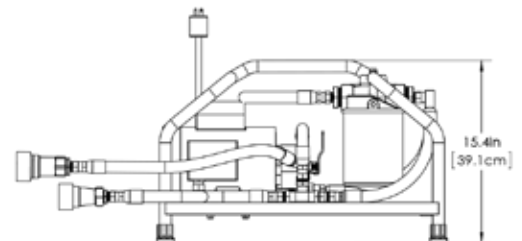
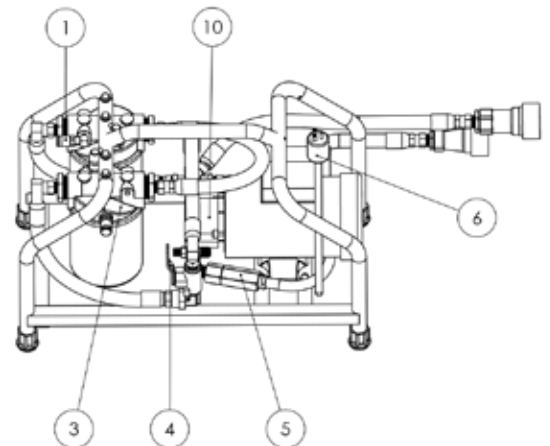
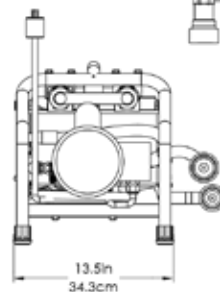
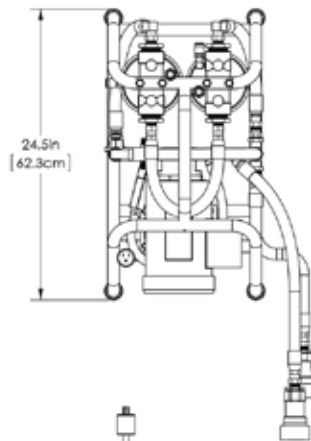
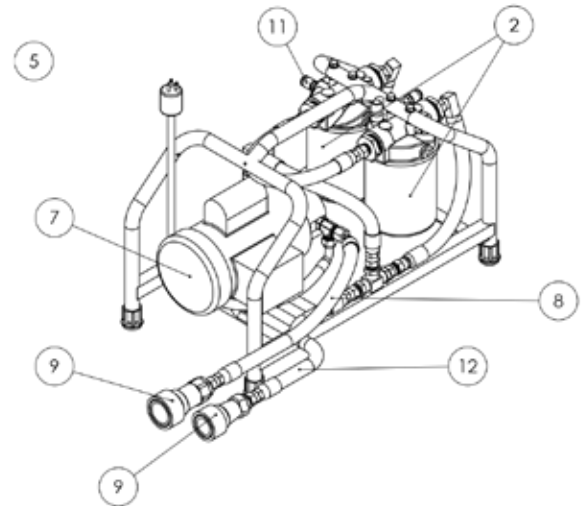
# Features & Specifications



## Xtract™ Drum Topper

### By the Numbers

Item No.	Description	Qty.
1	Post-Filter Sample Valve	1
2	Filter Element	2
3	Filter Head	1
4	Manual Filter Bypass Valve	1
5	Pump Relief-65psi	1
6	10' Power Cord	1
7	Motor	1
8	½" Inlet Hose	1
9	Quick Connect	1
10	Gear Pump	1
11	Pre-Filter Sample Valve	1
12	½" Outlet Hose	1



# Ordering Instructions



## Xtract™ Drum Topper

✓ First, choose the correct part number based on desired Pump/Motor combination:

### 1. Pump/Motor (choose 1)

Part Number	Description
LEX-1GPM-STDDT	1 gpm/.25 hp electric, 115 vac, 60 Hz, 1725 rpm, 5 amps
LEX-3GPM-STDDT	3 gpm/.25 hp electric, 115 vac, 60 Hz, 1725 rpm, 5 amps

**Note:** The 3 gpm pump is recommended for low-viscosity oils ( $\leq 100$  ISO viscosity).

✓ Every Drum Topper comes with:

### 2. Manual Filter Bypass

### 3. High Viscosity Sample Valves

✓ Next, to complete the order, choose a code for each of the following four Customizable Options:

### 4. Drain & Fill Connector Type (choose 1)

Code	Description	Size
QC1000F-A or -B	Xtract Quick Connect 1.0 Female ISO A or ISO B	1 inch
QC750F-A or -B	Xtract Quick Connect .75 Female ISO A or ISO B	$\frac{3}{4}$ inch
QC500F-A or -B	Xtract Quick Connect .5 Female ISO A or ISO B	$\frac{1}{2}$ inch

**Note:** Units are built for optimum performance when using 1-inch drain and  $\frac{3}{4}$ -inch fill connections. Decreased performance may occur when selecting other size combinations. Hoses are  $\frac{1}{2}$ -inch and  $\frac{3}{4}$ -inch respectively, regardless of connection sizes.

### 5. Drain & Fill Sizing (choose 1)

Code	Description	Size
QC1000F-A or -B	Xtract Quick Connect 1.0 Female ISO A or ISO B	1 inch
QC750F-A or -B	Xtract Quick Connect .75 Female ISO A or ISO B	$\frac{3}{4}$ inch
QC500F-A or -B	Xtract Quick Connect .5 Female ISO A or ISO B	$\frac{1}{2}$ inch

### 6. Filter A / Filter B (choose 1 for A and 1 for B)

Code	Description
3M-KF	Xtract 3-Micron Filter Element
6M-LF	Xtract 6-Micron Filter Element
12M-MF	Xtract 12-Micron Filter Element
25M-NF	Xtract 25-Micron Filter Element
WA-WF	Xtract Water Filter Element

### 7. Custom Color – Drum Topper Color Sheet (choose 1)

Code	Description	Code	Description
DT-CP-BG	Beige	DT-CP-MG	Mid Green
DT-CP-BK	Black	DT-CP-OR	Orange
DT-CP-BL	Blue	DT-CP-PR	Purple
DT-CP-DG	Dark Green	DT-CP-RD	Red
DT-CP-GR	Gray	DT-CP-YW	Yellow

