

# Product Information



## Xclude™ Contamination Exclusion

---

### Xclude™ Standard Breather

*Basic protection from moisture and particulate contamination in lubricant and equipment*



#### Typical Industries

- Power generation
- Mining
- Aviation
- Storage
- Manufacturing
- Petrochemical

#### Applications

- Totes
- Transformers
- Storage tanks
- Hydraulics



Asset Reliability Solutions™

[www.LElubricants.com](http://www.LElubricants.com) • 800-537-7683



## Xclude™ Standard Breather

### By the Numbers

#### 1—Integrated Nylon Standpipe

The integrated standpipe provides excellent vibration resistance and dissipates impact throughout the unit, eliminating weak points. It also allows even airflow distribution throughout the unit, eliminating inaccurate readings of desiccant saturation.

#### 2—Resilient Polycarbonate Body

Shock-absorbing, clear casing provides reliable service and easy maintenance.

#### 3—Filter Element

Polyester filter element removes airborne contamination to 3-micron absolute. Unique loops allow particles to release during system exhalation, helping to increase breather life.

#### 4—Foam Pad

Foam filter captures any oil mist and disperses incoming air evenly over filtration and drying areas.

#### 5—Water Vapor Adsorbent

Silica gel adsorbs water from incoming air and can hold up to 40% of its weight. Condition is indicated by change of color from blue to light pink.

#### 6—Secondary Filter Element

Second polyester filter element protects against migration of desiccant dust, providing maximum efficiency.

#### 7—Threaded Mounting

Easily replaces standard filler/breather cap with multi-fit connection or one of several adapters.

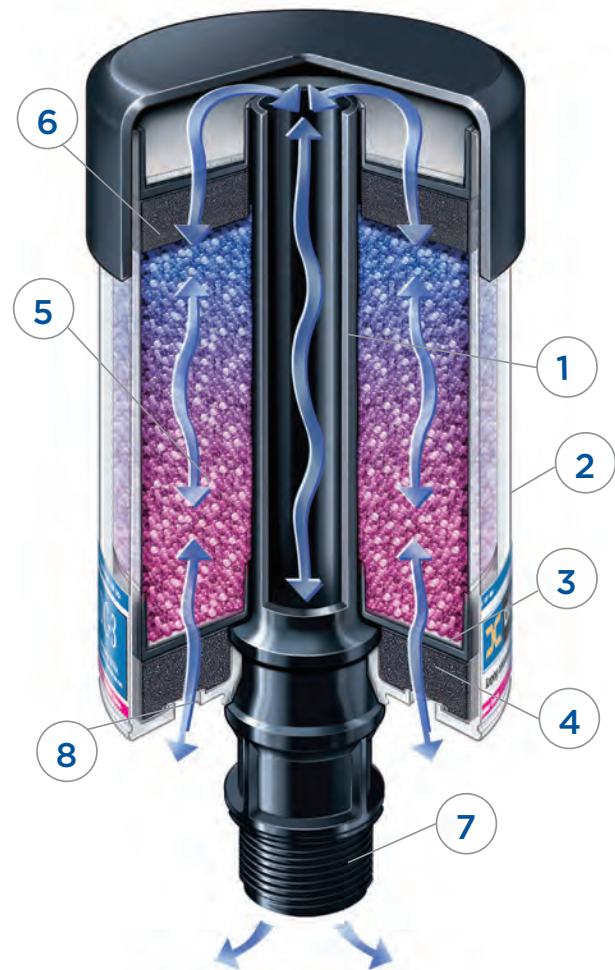
#### 8—Air Vents

Individual air intakes are opened based on flow requirements of the system. Plugs protect unit during shipping and storage.

### How It Works

This breather unit replaces the standard dust cap or OEM breather cap on equipment. As air is drawn into equipment through the breather, the layered filter elements remove particulate while the desiccant beads strip harmful moisture.

While in service or during shutdown, the desiccant beads attract moisture from inside the equipment reservoir, actively drying the equipment.





## Materials & Components

- Filter housing: Polycarbonate, nylon, polypropylene, PVC, Buna-N
- Filter media: Polyurethane, polyester
- Hydrophilic media: Silica gel

## Filter Efficiency

- 3μ absolute ( $\beta_3 \geq 200$ )

## Recommended Temperature Range

- -20°F to 200°F
- -29°C to 93°C

## Sizing Recommendations

Model	Max. Airflow at 1psid	Recommended Max. Volume	
		Gearbox/Storage Tank	Hydraulic Reservoir
LEXS375-13	4.55cfm/129lpm	15gal/57L	2gal/8L
LEXS375-28	4.16cfm/118lpm	35gal/132L	5gal/19L
LEXS1-66	16cfm/453lpm	200gal/757L	60gal/227L
LEXS1-122	16cfm/453lpm	350gal/1325L	100gal/379L
LEXS1-188	16cfm/453lpm	500gal/1893L	200gal/757L

## Water Adsorption Capacity

Size	Maximum Water Retention
LEXS375-13	23ml / 0.8 fluid oz
LEXS375-28	50ml / 4 fluid oz
LEXS1-66	118ml / 4 fluid oz
LEXS1-122	220ml / 7.45 fluid oz
LEXS1-188	353ml / 11.3 fluid oz

## Dimensions & Connections

Model	Connection	Unit Height	Unit Width
LEXS375-13	3/8" Multi-Fit (NPT, BSPP, BSPT)	3.90in	2.5in
		9.9cm	6.4cm
LEXS375-28	3/8" Multi-Fit (NPT, BSPP, BSPT)	5.351in	2.5in
		13.5cm	6.4cm
LEXS1-66	1" Multi-Fit (NPT, BSPP, NPSM)	6in	4in
		15.6cm	10.2cm
LEXS1-122	1" Multi-Fit (NPT, BSPP, NPSM)	8in	4in
		20.6cm	10.2cm
LEXS1-188	1" Multi-Fit (NPT, BSPP, NPSM)	10in	4in
		25.7cm	10.2cm

## Chemical Compatibility

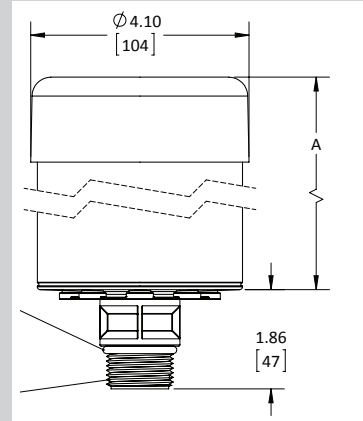
### Recommended:

- All gear oil
- Most hydraulic fluid
- Mineral & synthetic oil

### Not recommended:

- Phosphate ester
- Hydrogen sulfide
- Sulfuric acid
- Highly alkaline cleaners

## Standard Sizes

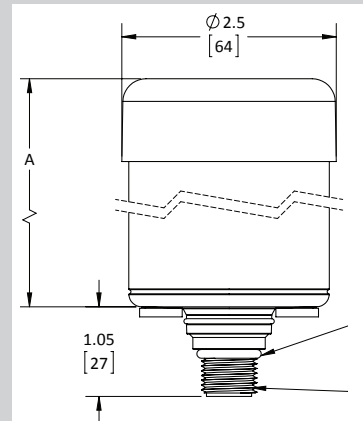


LEXS1-66 4.13in (A)

LEXS1-122 6.13in (A)

LEXS1-188 8.13in (A)

## Miniature Sizes



LEXS375-13 2.824in (A)

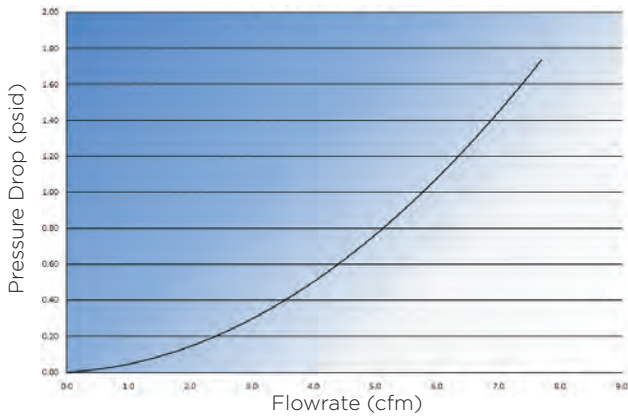
LEXS375-28 4.307in (A)



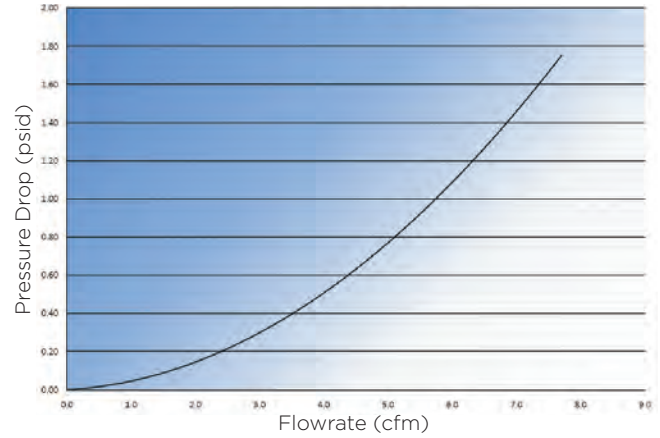
# Additional Specs

## Airflow

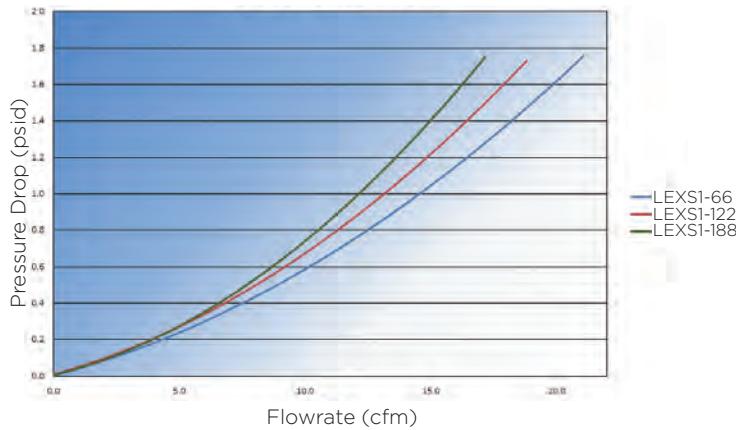
LEXS375-13



LEXS375-28

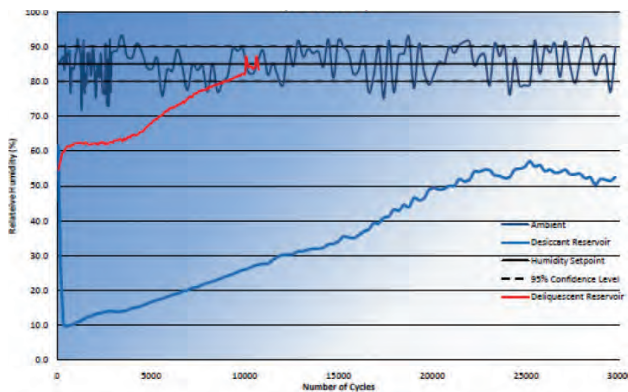


LEXS1-66, LEXS1-122, LEXS1-188



## Humidity Protection

Desiccant vs. Deliquescent (73°F, 1cfm)



An Xclude standard breather is five times more effective than leading non-desiccant breather.

### Humidity Level Below Ambient Conditions:

- LEXS1-188: Protects 30,000+ cycles
- Deliquescent: Protects 5,000 cycles (Testing parameters 73°F, 1cfm)

Xclude™ is a trademark of Lubrication Engineers, Inc.

LEX\_SDFLY\_101 5-15, rev. 8-16