

# Product Information



## Xclude™ Contamination Exclusion

---

### Xclude™ High Humidity Check Valve Breather

*Ideal solution to protect against moisture and particulate contamination in low-flow applications with intermittent operations*



#### Typical Industries

- Wind Energy
- Pulp & paper
- Aviation
- Storage
- Manufacturing
- Petrochemical

#### Applications

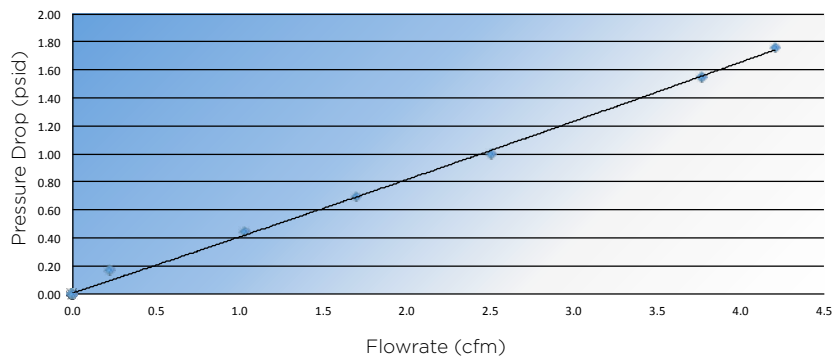
- Gearboxes
- Low-flow
- High-humidity
- Washdown



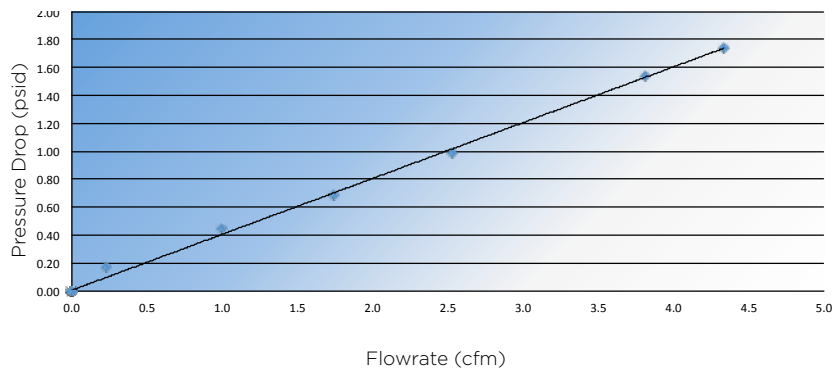
# Charts & Graphs

## Airflow

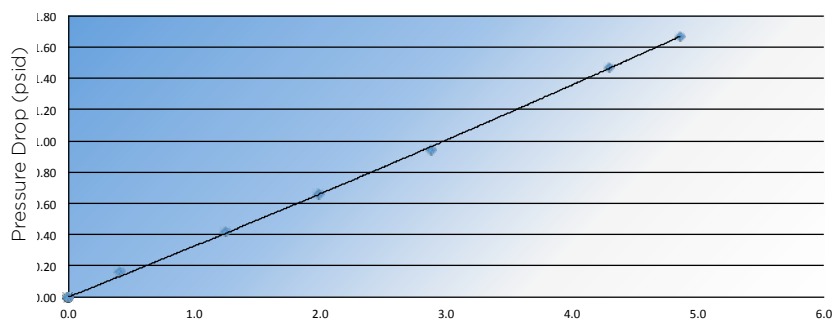
LEXHHCV1-66



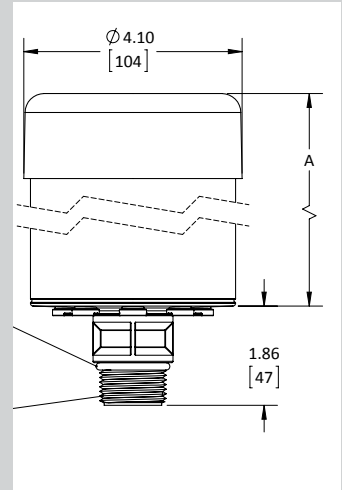
LEXHHCV1-122



LEXHHCV1-188



## Standard Sizes

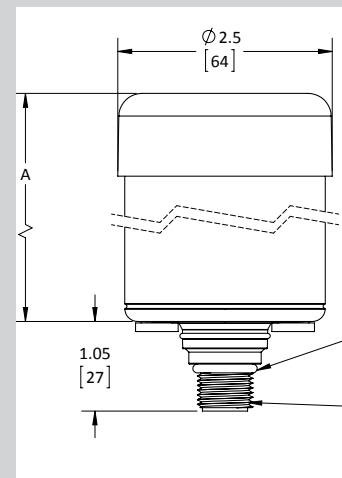


LEXHHCV1-66 4.13

LEXHHCV1-122 6.13

LEXHHCV1-188 8.13

## Miniature Sizes



LEXHHCV375-13 2.824

LEXHHCV375-28 4.307



## Materials & Components

Filter housing: Polycarbonate, nylon, polypropylene, Buna-N, silicone

Filter media: Polyurethane, polyester

Hydrophilic media: Silica gel

## Filter Efficiency

3 $\mu$  absolute ( $\beta_3 \geq 200$ )

## Recommended Temperature Range

-20°F to 200°F

-29°C to 93°C

## Chemical Compatibility

*Recommended:*

- All gear oils
- Most hydraulic fluids
- Mineral & synthetic oil

*Not recommended:*

- Phosphate ester
- Hydrogen sulfide
- Sulfuric acid
- Highly alkaline cleaners

## Sizing Recommendations

Model	Max. Airflow at 1psid	Recommended Max. Volume	
		Gearbox/Storage Tank	Hydraulic Reservoir
LEXHHCV375-13	1.45cfm/41.06lpm	15gal/57L	2gal/8L
LEXHHCV375-28	1.45cfm/41.06lpm	35gal/132L	5gal/19L
LEXHHCV1-66	2.5cfm/70.5lpm	200gal/757L	60gal/227L
LEXHHCV1-122	2.28cfm/64.5lpm	350gal/1325L	100gal/379L
LEXHHCV1-188	1.8cfm/50.9lpm	500gal/1893L	200gal/757L

## Water Adsorption Capacity

Size	Maximum Water Retention
LEXHHCV375-13	23ml / 0.8 fluid oz
LEXHHCV375-28	50ml / 1.68 fluid oz
LEXHHCV1-66	118ml / 4 fluid oz
LEXHHCV1-122	220ml / 7.45 fluid oz
LEXHHCV1-188	353ml / 11.3 fluid oz

## Dimensions & Connections

Model	Connection	Unit Height	Unit Width
LEXHHCV375-13	$\frac{3}{8}$ " Multi-Fit (NPT, BSPP, BSPT)	3.90in	2.5in
		9.9cm	6.4cm
LEXHHCV375-28	$\frac{3}{8}$ " Multi-Fit (NPT, BSPP, BSPT)	5.351in	2.5in
		13.5cm	6.4cm
LEXHHCV1-66	1" Multi-Fit (NPT, BSPP, NPSM)	6in	4.1in
		15.6cm	10.2cm
LEXHHCV1-122	1" Multi-Fit (NPT, BSPP, NPSM)	8in	4.1in
		20.6cm	10.2cm
LEXHHCV1-188	1" Multi-Fit (NPT, BSPP, NPSM)	10in	4.1in
		25.7cm	10.2cm



# Overview

## How It Works

This breather unit replaces the standard dust cap or OEM breather cap on equipment. Check-valves on the bottom of the unit isolate the system until equipment needs to breathe. As air is drawn into equipment through the breather, the layered filter elements remove particulates while the desiccant beads strip harmful moisture.

While in service or during shutdown, the desiccant beads attract moisture from inside the equipment reservoir, actively drying the equipment.

## By the Numbers

### 1—Recessed Check-Valves

High-quality umbrella check-valves that won't clog or stick are recessed underneath the unit for added protection from washdown environments. Check-valves isolate equipment from ambient conditions, prolonging breather life.

### 2—Integrated Nylon Standpipe

The integrated standpipe provides excellent vibration resistance and dissipates impact throughout the unit, eliminating weak points. It also allows even airflow distribution throughout the unit, eliminating inaccurate readings of desiccant saturation.

### 3—Resilient Polycarbonate Body

Shock-absorbing, clear casing provides reliable service and easy maintenance.

### 4—Filter Element

Polyester filter element removes airborne contamination to 3-micron absolute. Unique loops allow particles to release during system exhalation, helping to increase breather life.

### 5—Water Adsorbent

Silica gel adsorbs water from incoming air and can hold up to 40% of its weight. Condition is indicated by change of color from blue to light pink.

### 6—Secondary Filter Element

Second polyester filter element protects against migration of desiccant dust, providing maximum efficiency.

### 7—Foam Pad

Foam filter captures any oil mist and disperses incoming air evenly over filtration and drying areas.

### 8—Threaded Mounting

Easily replaces standard filler/breather cap with multi-fit connection or one of several adapters.

